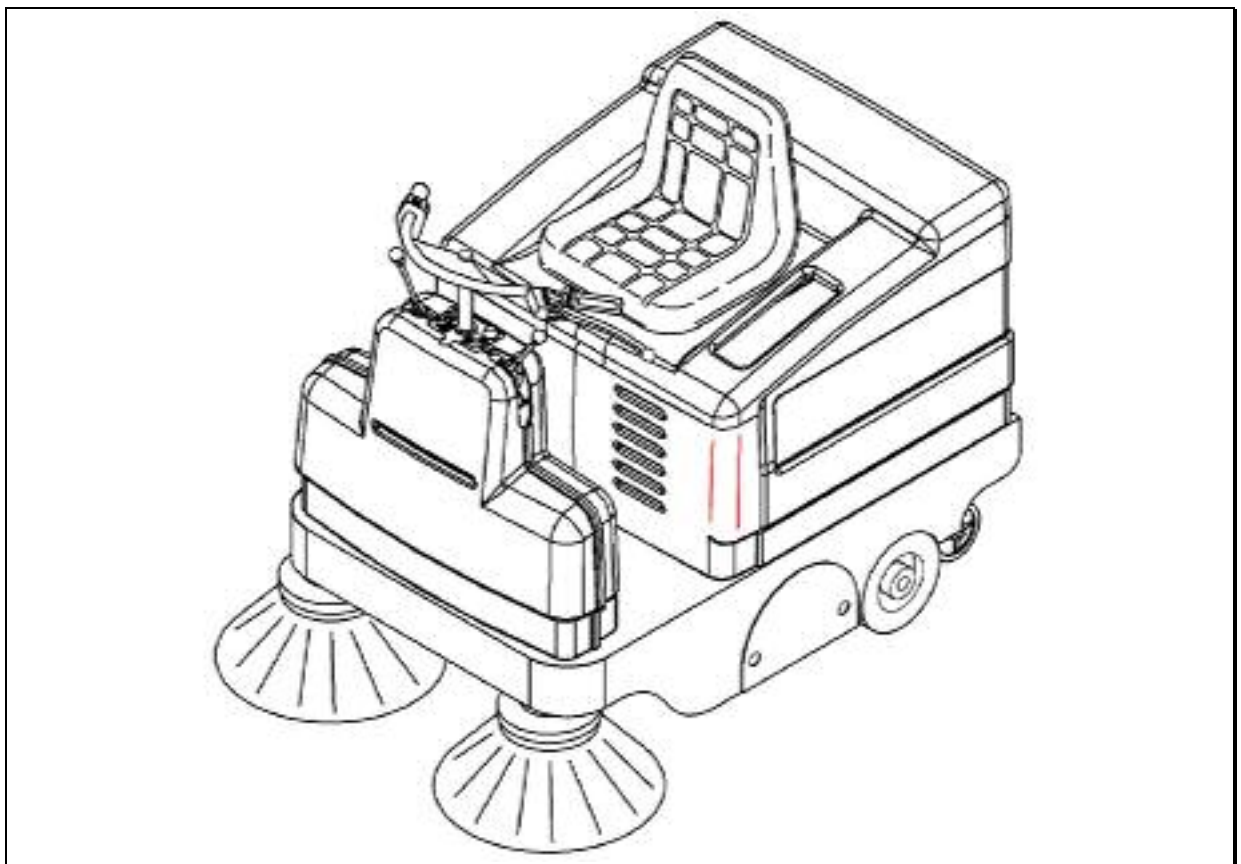


Minuteman[®]

Parts Manual

MODEL KLEEN SWEEP 40



Minuteman

*111 South Rohlwing Road
Addison, Illinois 60101 - U.S.A.
Tel.: (630) 6276900 Fax: (630) 6271173*

KLEEN SWEEP 40

LISTE RICAMBI CONSIGLIATI

RECOMMENDED SPARE PARTS LIST - EMPFOHLENE ERSATZTEILE LISTE

LISTE DE PIÈCES RECOMMANDÉES - LISTA DE PIEZAS ACONSEJADAS

LISTA A (MATERIALI DI CONSUMO)						
LIST A (WEARABLE MATERIAL)						
LISTE A (ABNUTZUNGSMATERIAL)						
LISTE A (MATERIELLES DE CONSOMMATION)						
LISTA A (MATERIALES DE CONSUMO)						
Codice N° Part. No. Code N	Quantità Quantity Anzahl	Descrizione	Description	Bezeichnung	Description	Descripción
350008	1	Gomma	Rubber	Gummi	Gomme	Goma
520026	1	Spazzola laterale	Side brush	Seitenbesen	Brosse lateral	Cepillo lateral
520049	1	Spazzola centrale	Main brush	Hauptbuerste	Brosse centrale	Cepillo central
520051	1	Filtro a sacche	Bag filter	Filtersack	Filtre a sac	Filtro a saco

LISTA B (MATERIALI PER INTERVENTI ORDINARI)						
LIST B (MATERIAL FOR ORDINARY MAINTENANCE)						
LISTE B (MATERIAL FÜR ORDENTLICHE WARTUNG)						
LISTE B (MATERIELLES POUR OPERATIONS ORDINAIRES)						
LISTA B (MATERIALES PARA OPERACIONES ORDINARIAS)						
Codice N° Part. No. Code N	Quantità Quantity Anzahl	Descrizione	Description	Bezeichnung	Description	Descripción
110321	1	Barra	Bar	Stange	Barre	Barra
120354	1	Albero flap	Flap shaft	Grobschmutzklappe welle	Arbre du flap	Arbol du flap
130172	1	Protezione spazzola	Brush protection	Schutz Hauptkehrwalze	Protection balai	Protección cepillo
260018	1	Mozzo sx	Left hub	Linke Nabe	Moyeu gauche	Cubo izquierdo
260019	1	Mozzo dx	Right hub	Rechte Nabe	Moyeu droite	Cubo
320003	2	Flangia	Flange	Halterung	Support	Soporte
360242	1	Profilo	Profile	Profil	Profil	Perfil
360248	1	Profilo	Profile	Profil	Garniture	Guarnición
410001	3	Cuscinetto	Bearing	Lager	Roulement	Cojinete
410006	2	Cuscinetto	Bearing	Lager	Roulement	Cojinete
410016	4	Cuscinetto	Bearing	Lager	Roulement	Cojinete
430027	2	Cinghia	Belt	Riemen	Courroie	Correa
430039	1	Cinghia	Belt	Riemen	Courroie	Correa
430041	1	Cinghia	Belt	Riemen	Courroie	Correa
430042	1	Cinghia	Belt	Riemen	Courroie	Correa
440013	2	Ruota	Wheel	Rad	Roue	Rueda
440032	2	Ruota	Wheel	Rad	Roue	Rueda
460032	1	Pignone	Pinion	Ritzel	Pignon	Rueda dentellada
460033	1	Catena	Chain	Kette	Chaine	Cadena
490149	R	Kit gomme parapolv.	Rubber flaps set	Dichtstreifen-set	Set gommés des flap	Grupo gomas flap- polvo
520026	1	Spazzola laterale	Side brush	Seitenbesen	Brosse lateral	Cepillo lateral
530009	1	Riduttore dx	Reducer DX	Schneckengetr. DX	Reducteur DX	Reductor DX
530011	1	Riduttore sx	Reducer SX	Schneckengetr. SX	Reducteur SX	Reductor SX
560014	1	Leva spazzola lat. sx	Lh side brush lever	Handhebel, Links	Levier brosse laterale gauche	Palanca cepillo lateral izquierdo
560015	1	Leva spazzola lat. dx	Rh side brush lever	Handhebel, Rechts	Levier brosse laterale droite	Palanca cepillo lateral derecho
560037	1	Pomello aspirazione	Vacuum knob	Absaugung Knopf	Pommeau aspiration	Tirador aspiración
560039	1	Leva stazionata	Lever	Hebel	Levier	Palanca
570046	1	Guaina	Sheath	Umhuellung	Gaine	Vaina
570047	1	Filo freno	Break thread	Bremse Draht	Fil du frein	Hilo freno
570048	1	Guaina	Sheath	Umhuellung	Gaine	Vaina
570049	1	Filo	Thread	Draht	Fil	Hilo

KLEEN SWEEP 40

LISTE RICAMBI CONSIGLIATI

RECOMMENDED SPARE PARTS LIST - EMPFOHLENE ERSATZTEILE LISTE

LISTE DE PIÈCES RECOMMANDÉES - LISTA DE PIEZAS ACONSEJADAS

Codice N° Part. No. Code N	Quantità Quantity Anzahl	Descrizione	Description	Bezeichnung	Description	Descripcìon
570050	1	Filo	Thread	Draht	Fil	Hilo
570051	1	Guaina	Sheath	Umhuellung	Gaine	Vaina
580043	2	Arresto ruota	Stop wheel	Stop Rad	Arret roue	Arresto rueda
580056	2	Forcella	Fork	Gabelkopf	Fourche	Horquilla
580138	1	Chiusura	Closing	Verschluss	Fermeture	Cierre
580139	1	Riscontro chiusura	Counterpart lever closing	Verschlusshaken	Contre-fermeture levier	Contro-cierre palanca
640037	1	Connettore	Connector	Stecker	Connecteur	Connector
640038	1	Connettore	Connector	Stecker	Connecteur	Connector
640061	1	Fusibile 8A	Fuse 8A	Sicherung 8A	Fusible 8A	Fusible 8A
640062	4	Carboncino	Carbon	Kohle	Brosse	Cepino
640075	1	Porta fusibile	Fuse-box	Sicherungshalter	Porte-fusible	Lleva-fusible
640077	1	Interruttore	Switch	Schalter	Interrupteur	Interruptor
640088	4	Fusibile 30A	Fuse 30A	Sicherung 30A	Fusible 30A	Fusible 30A
640096	4	Carboncino	Carbon	Kohle	Brosse	Cepino
640170	1	Stacca batteria + chiave	Battery disconnection + key	Batterietrennen + schlüssel	Disjonction batterie + clé	Desconexión bateria + Llave
650021	1	Indicatore segnacarica	Charge indicator	Entlademelder	Indicateur de charge	Indicador de carga
650029	1	Chopper	Electric card	Elektrische Zettel	Fiche electrique	Ficha electica
650030	1	Coppia manopole	Plate handles	Handgriffs	Couple de manoples	Pareja de manoplas
650032	1	Relè	Relais	Relais	Relais	Relé
660005	1	Pulsante claxon	Horn push botton	Hupe drucktaste		Boton del claxon
660020	1	Commutatore senza chiave	Switch without key	Schalter Ohne Schluessel	Commutateur sans clef	Commutador sin clave
670027	1	Lampeggiante multitensione	Multi voltage flashing light	Mehrspannung warnlight	Girophare multivoltage	Faro giratorio multivoltaje
760022	1	Copiglia	Split pin	Splint	Goupille	Horquilla
790016	1	Ingranaggio ridutt.dx	Reduction gear R.	Reductions R.	Reducteur D.	Reduccion D.
790018	1	Ingranaggio ridutt.sx	Reduction gear left	Reductions links	Reducteur gauche	Reduccion izquierda

LISTA C (MATERIALI PER INTERVENTI STRAORDINARI)

LIST C (MATERIAL FOR EXTRAORDINARY MAINTENANCE)

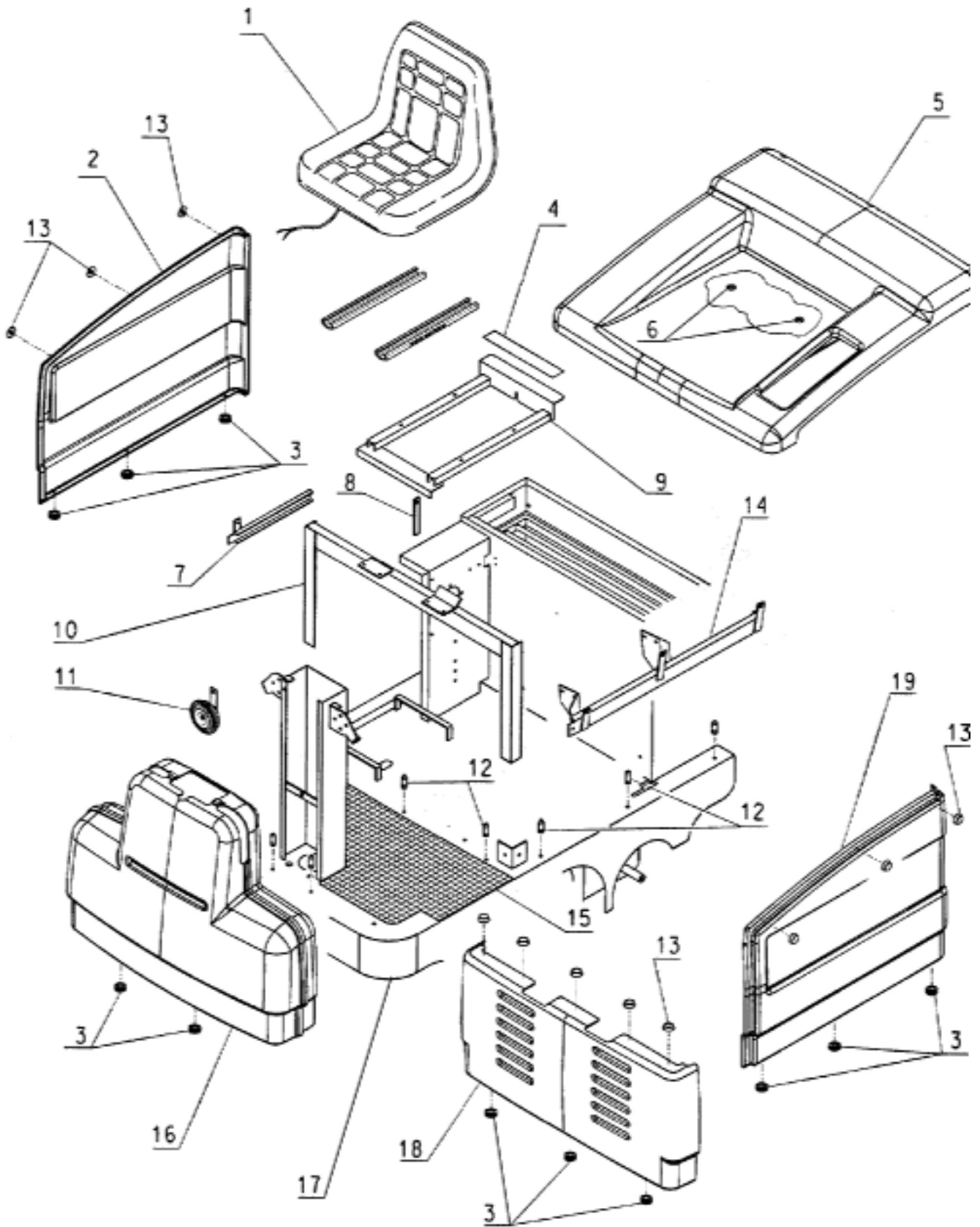
LISTE C (MATERIAL FÜR AUßERORDENTLICHE WARTUNG)

LISTE C (MATERIELLES POUR OPERATIONS EXTRAORDINAIRES)

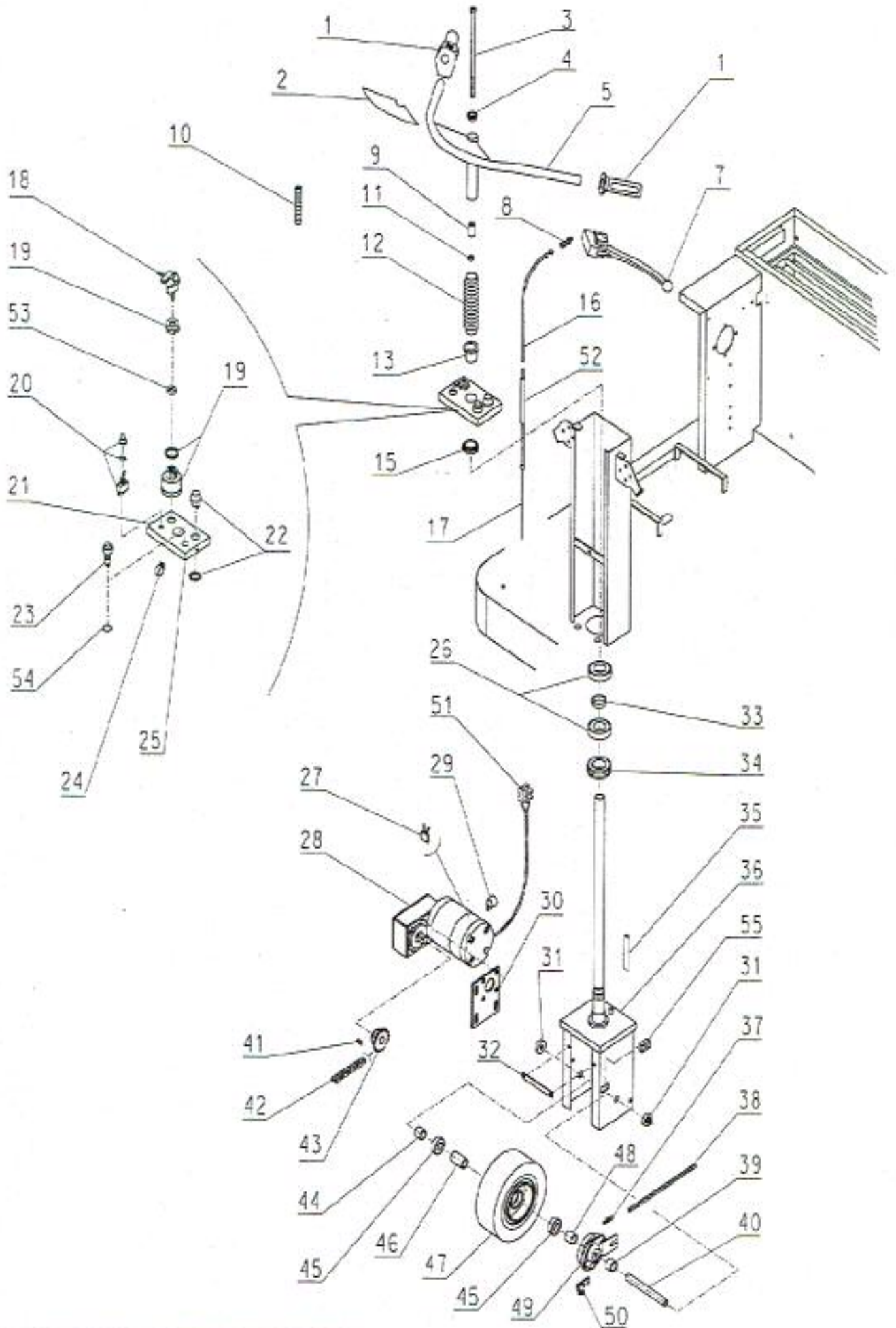
LISTA C (MATERIALES PARA OPERACIONES EXTRAORDINARIAS)

Codice N° Part. No. Code N	Quantità Quantity Anzahl	Descrizione	Description	Bezeichnung	Description	Descripcìon
450005	1	Ruota	Wheel	Rad	Roue	Rueda
610037	1	Motoriduttore	Reducer	Transformator	Motoreducteur	Motoreductor
610038	1	Motore aspirazione	Vacuum motor	Absaugsmotor	Moteur aspiration	Motor aspiración

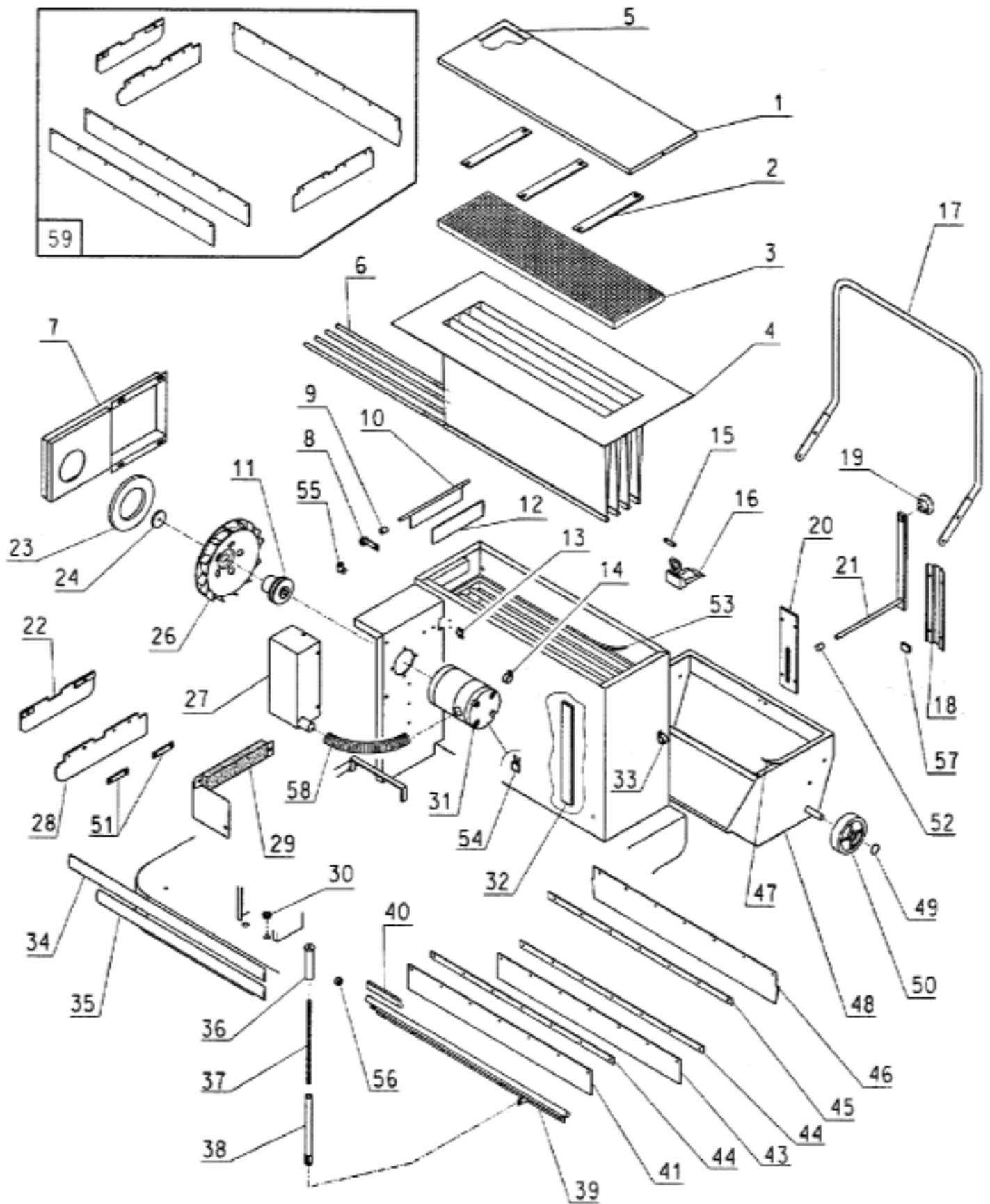
REF.N°	Part.N°	Description	Electric Qty
1	1000980	Lh side brush lever	1
2	1000680	Plate handle	1
3	1001716	Sheath	1
4	1001714	Thread	1
5	1000965	Spring	1
6	1001501	Left support	1
7	1001549	Washer	1
8	1001499	Brush arm	1
9	1001524	Left support	1
10	1000929	Reducer SX	1
11	1001774	Key	1
12	1001658	Belt	1
13	1000579	Pulley	1
14	1001599	Protection	1
15	1001618	Handle	1
16	1001428	Protection side-brush left	1
17	1000653	Flange	1
18	1000921	Side brush	1
19	1001583	Pulley	1
20	1000254	Supporting rod	1
21	1001764	Multi voltage flashing light	1
22	1001763	Flashing light housing	1
23	1001765	Bulb Xenon	1
24	1001341	Flashing light kit	1
25	1001600	Refuse-box	2
26	1001527	Container handle	2
27	1001672	Kit for lodging 4 batteries	1
28	1001613	Terminal cover	6
29	1001744	Clamp(-)	3
30	1001742	Clamp(+)	3
31	1001472	Battery block	2
32	1001727	Dry charge Battery 6V 240 Ah	4
33	1001728	Battery 12V 158 Ah (full charge)	2
34	1001755	Hours counter	1
35	1000118	Support	1
36	1000991	Clamp	1
37	1001674	Refuse-box kit	1
38	1001670	Hourmeter kit	1
39	1001673	Left side brush kit	1
40	1001633	Sponge	2
41	1001496	Support	2
42	1001689	Bag filter "C" class	1
43	1001780	Reduction gear left	1
44	1001784	Refuse box with handle	1



Ref.N°	Part.N°	Description	Electric Qty
1	1001723	Seat with microswitch	1
2	1001595	Right chassis	1
3	1000703	Rubber ring	11
4	1001634	Profile	1
5	1001649	Upper hood	1
6	1001616	Washer	2
7	1001525	Right fairing support	1
8	1001479	Hood rod	1
9	1001507	Seat frame	1
10	1001504	Fairing frame	1
11	1001101	Horn	1
12	1000469	Lock pin	11
13	1001615	Washer	11
14	1001526	Left fairing support	1
15	1001626	Rubber carpet	1
16	1001594	Bonnet	1
17	1001536	Chassis	1
18	1001597	Front panel	1
19	1001596	Left chassis	1

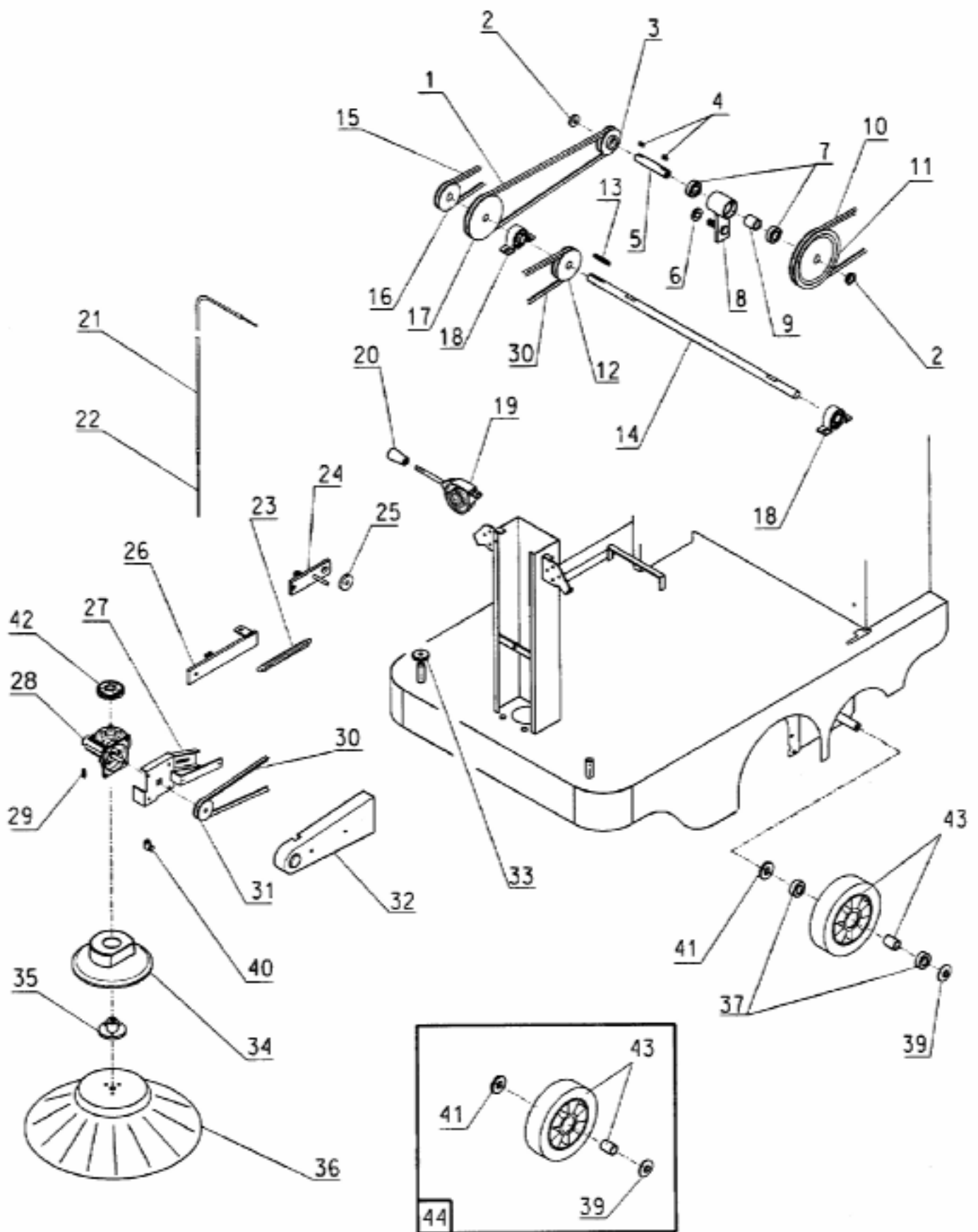


Ref.N°	Part.N°	Description	Electric Qty
1	1001758	Plate handles	1
2	1001680	Adhesive	1
3	1001478	Screw	1
4	1001565	Washer	1
5	1001539	Handle	1
7	1001705	Lever	1
8	1001494	Adjuster	1
9	1001564	Conical Bush	1
10	1001635	Sheath	1
11	1001766	Nut	1
12	1001617	Protection for steering column	1
13	1001556	Bush	1
15	1001767	Steel ring	1
16	1001710	Sheath	1
17	1001711	Break thread	1
18	1001761	Couple of keys	1
19	1001762	Switch without key	1
20	1001119	Switch	1
21	1001677	Adhesive	1
22	1001145	Horn push button	1
23	1001756	Charge indicator	1
24	1001753	Clamp	1
25	1001503	Panel	1
26	1001655	Bearing	2
27	1001362	Carbon	4
28	1001724	Reducer	1
29	1001100	Clamp	1
30	1001502	Plate	1
31	1001557	Washer	2
32	1001473	Plate	1
33	1001559	Spacer	1
34	1001654	Bearing	1
35	1001636	Profile	1
36	1001532	Clamp	1
37	1001704	Adjuster	1
38	1001700	Spring	1
39	1001563	Spacer	1
40	1001558	Shaft	1
41	1001772	Key	1
42	1001667	Chain	1
43	1001666	Pinion	1
44	1001561	Spacer	1
45	1000797	Bearing	2
46	1001560	Spacer	1
47	1001665	Wheel	1
48	1001562	Spacer	1
49	1001720	Brake support	1
50	1001520	Brake lever	1
51	1001751	Clamp	1
52	1001630	Hose	1
53	1001497	Dust-casing from s/n 1068	1
54	1001631	Ring from s/n 1020	1
55	1001790	Rubber plug	1

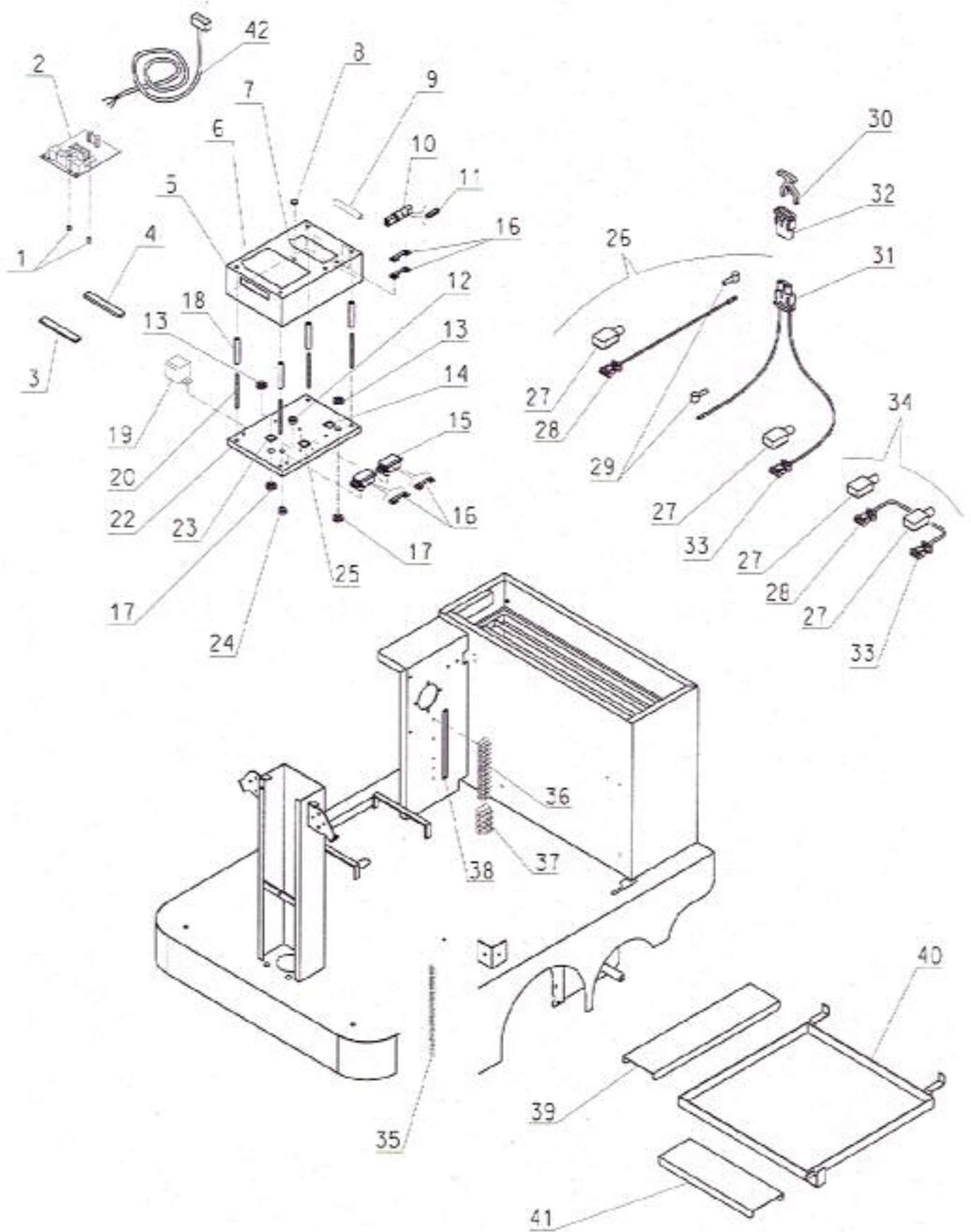


REF.N°	Part.N°	DESCRIPTION	Electric Qty
1	1001480	Filter cover	1
2	1001476	Plate	3
3	1001514	Fixing panel	1
4	1001688	Bag filter	1
5	1001637	Profile	1
6	1001491	Shaking round bar	4
7	1001506	Aspiration box	1
8	1001531	Lever	1
9	1001555	Spacer	1
10	1001515	Vacuum cut-off	1
11	1001587	Pulley	1
12	1001629	Sponge	1
13	1000047	Clamp	1
14	1001750	Clamp	1
15	1001722	Counterpart lever closing	1
16	1001721	Closing	1
17	1001538	Container handle	1
18	1001477	Filter-shaker guide	1
19	1001621	Handle	1
20	1001628	Guide	1
21	1001510	Filter-shaker lever	1
22	1001647	Rubber	1
23	1000710	Washer	1
24	1001789	Disc	1
26	1000661	Vacuum fan	1
27	1001782	Box for noise level reduction	1
28	1001648	Rubber	1
29	1001783	Bar	1
30	1001612	Rubber	1
31	1001075	Vacuum motor	1
32	1001638	Profile	6
33	1001108	Clamp	1
34	1001604	Bumper	1
35	1001603	Bumper	1
36	1001519	Spring guide	1
37	1001697	Spring	1
38	1001518	Spring guide	1
39	1001516	Flap shaft	1
40	1001636	Profile	1
41	1001627	Rubber	1
43	1001624	Rubber	1
44	1001484	Bar	2
45	1001486	Bar	1
46	1001625	Rubber	1
47	1001636	Profile	1
48	1001517	Dirt container	1
49	1001044	Stop wheel	2

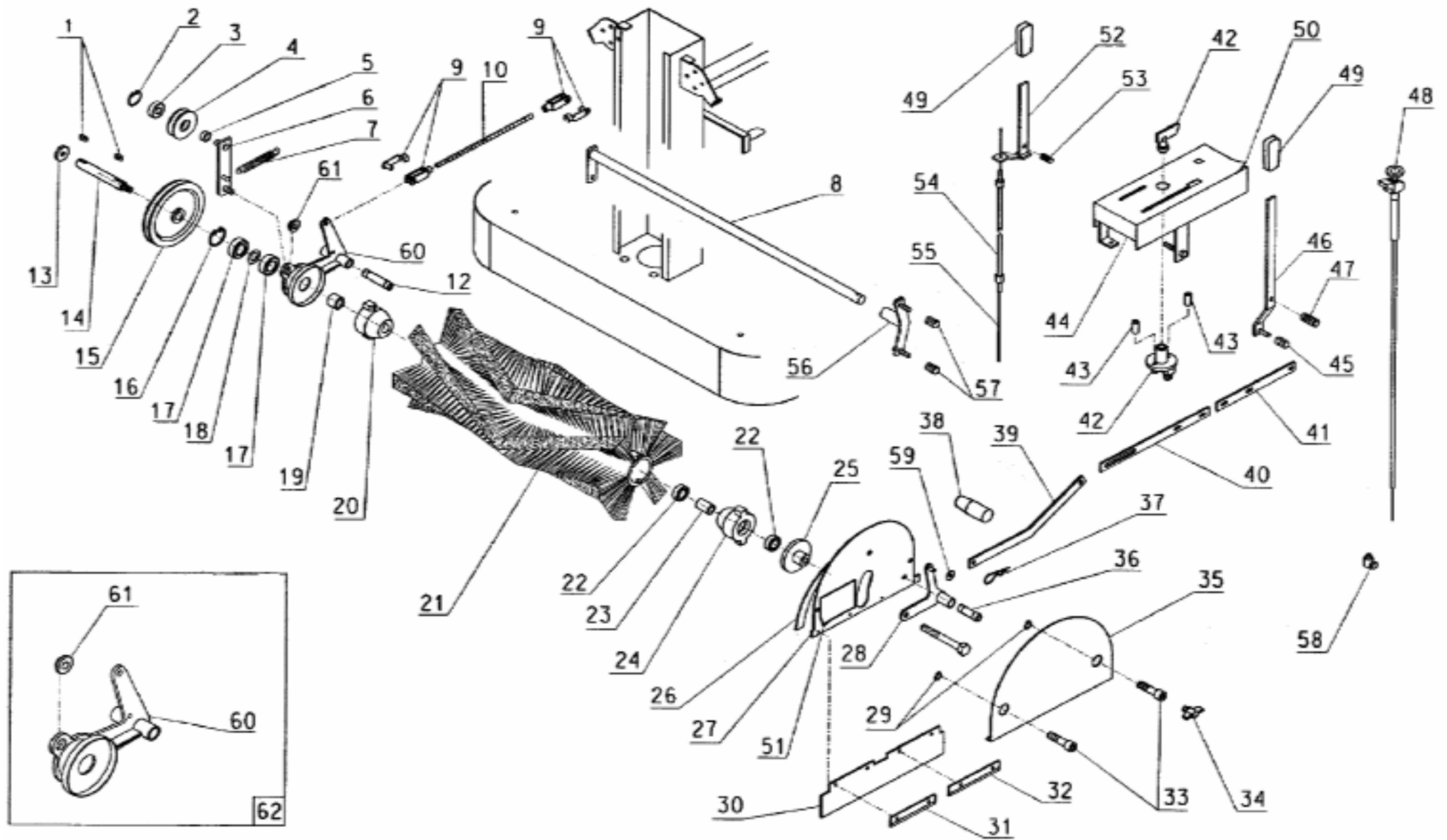
50	1000844	Wheel	2
51	1001489	Plate	2
52	1000683	Rubber plug	1
53	1001641	Profile	1
54	1001362	Carbon up to serial number 1099	4
54	1001363	Carbon from serial number 1100	4
55	1000988	Clamp	1
56	1001555	Bush	1
57	1001645	Rubber plug	1
58	1001646	Sheath	1
59	1001671	Rubber flaps set	-



REF.N°	Part.N°	Description	Electric Q.ty
1	1001662	Belt	1
2	1001552	Washer	2
3	1001580	Pulley	1
4	1001773	Key	2
5	1001572	Pivot	1
6	1001566	Washer	1
7	1000787	Bearing	2
8	1001535	Support	1
9	1001551	Spacer	1
10	1001660	Belt	1
11	1001579	Pulley	1
12	1001583	Pulley	2
13	1001777	Key	1
14	1001574	Shaft	1
15	1001661	Belt	1
16	1001585	Pulley	1
17	1001586	Pulley	1
18	1001657	Bearing	1
19	1000981	Rh side brush lever	1
20	1000680	Plate handle	1
21	1001716	Sheath	1
22	1001714	Thread	1
23	1001695	Spring	1
24	1001508	Right support	1
25	1001549	Washer	1
26	1001499	Brush arm	1
27	1001511	Right support	1
28	1000928	Reducer DX	1
29	1001774	Key	1
30	1001658	Belt	1
31	1000579	Pulley	1
32	1001598	Protection	1
33	1001618	Handle	1
34	1000629	Protection side-brush right	1
35	1000653	Flange	1
36	1000921	Side brush	1
37	1001656	Bearing	4
39	1001570	Washer from serial n°1121	2
40	1000991	Clamp	1
41	1001571	Spacer from serial n°1121	2
42	1001779	Reduction gear	1
43	1001664	Wheel from serial n°1121	2
44	1001791	Wheel replacement kit	1



Ref.N°	Part.N°	Description	Electric Qty
1	1001567	Spacer	2
2	1001757	Electric card	1
3	1001644	Profile	1
4	1001641	Profile	1
5	1001523	Cover	1
6	1001683	Adhesive	1
7	1001682	Adhesive	1
8	1000694	Rubber plug	1
9	1001642	Profile	1
10	1001117	Fuse-box	1
11	1001116	Fuse 8A	1
12	1001589	Washer	1
13	1001543	Washer	2
14	1001675	Adhesive	1
15	1001128	Fuse-box	2
16	1001129	Fuse 30A	4
17	1001542	Washer	2
18	1001487	Spacer	4
19	1001759	Relais	1
20	1001488	Bar	4
22	1001512	Electric box base	1
23	1001676	Adhesive	1
24	1001588	Washer	1
25	1001679	Adhesive	1
26	1001729	Wiring	1
27	1000706	Terminal cover	2
28	1001742	Clamp(+)	1
29	1001749	Protection	1
30	1001389	Handle	1
31	1001730	Connector	1
32	1001669	Connector	1
33	1001744	Clamp(-)	1
34	1001751	Connection cable	1
35	1001668	Chain	1
36	1001493	Terminal board	1
37	1001751	Terminal board	1
38	1001681	Adhesive	1
39	1001493	Thickness	1
40	1001513	Batteries case	1
41	1001492	Thickness	1
42	1001792	Wiring	1

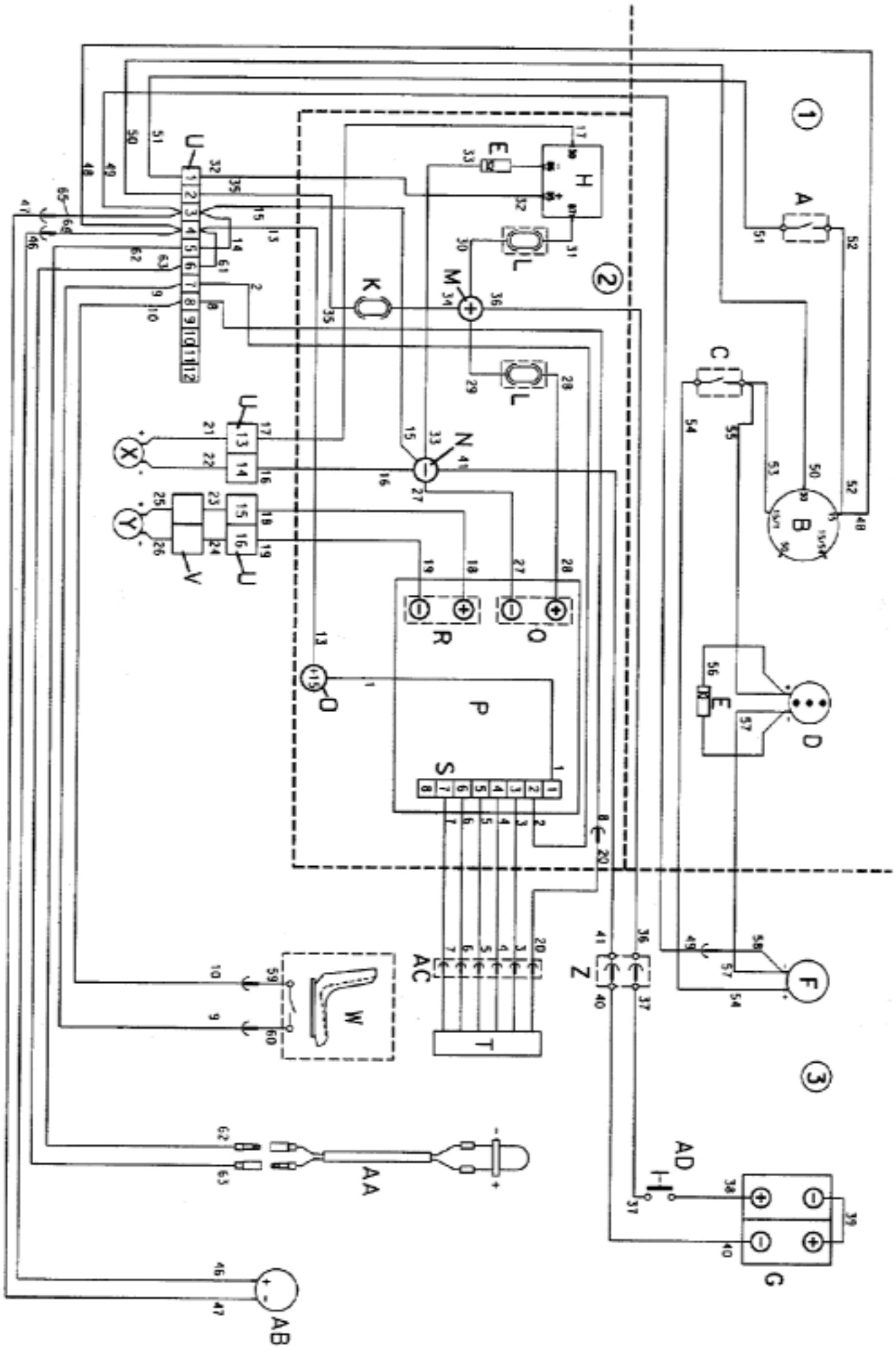


16/12/2003

REF.N°	Part.N°	Description	Electric Q.ty
1	1001776	Key	2
2	1001207	Ring	1
3	1000782	Bearing	1
4	1001582	Pulley	1
5	1001545	Spacer	1
6	1001534	Belt tensioner support	1
7	1000939	Spring	1
8	1001509	Shaft	1
9	1001053	Fork	2
10	1001481	Bar	1
12	1001547	Spacer	1
13	1001553	Washer	1
14	1001573	Pivot	1
15	1001581	Pulley	1
16	1001771	Ring	1
17	1000797	Bearing	2
18	1001768	Washer	1
19	1001544	Spacer	1
20	1001576	Right hub	1
21	1001687	Main brush	1
22	1000782	Bearing	2
23	1001548	Spacer	1
24	1001575	Left hub	1
25	1001529	Brush protection	1
26	1001645	Profile	1
27	1001482	Left inside closure	1
28	1001528	Lever	1
29	1001770	Ring	1
30	1001623	Rubber	1
31	1001474	Bar	1
32	1001475	Bar	1
33	1001554	Screws	2
34	1001781	Key	1
35	1001530	Closing	1
36	1001546	Bush	1
37	1001778	Split pin	1
38	1001620	Plate handle	1
39	1001483	Bar	1
40	1001485	Upper bar	1
41	1001495	Lower bar	1
42	1001754	Battery disconnection + key	1
43	1001490	Spacer	2
44	1001505	Side panel	1
45	1000957	Spring	1
46	1001521	Main brush lever	1
47	1001698	Spring	1
48	1001703	Vacuum knob	1
49	1000662	Plate handle	2
50	1001678	Panel label	1
51	1001684	Adhesive	1

16/12/2003

52	1001522	Flap lever	1
53	1000957	Spring	1
54	1001712	Sheath	1
55	1001713	Thread	1
56	1001533	Lever	1
57	1001699	Spring	1
58	1000988	Clamp	1
59	1001632	Washer	1
60	1001537	Right support from serial n° 1068	1
61	1001569	Bush from serial n° 1068	1
62	1001569 1001537	Complete right support up to s/n 1067	1



<i>Ref.N°</i>	Description
1	Controls board
2	Electric panel
3	Chassis
A	Brush switch
B	Key
C	Horn push botton
D	Battery charge indicator
E	Diode 3A
F	Horn
G	Battery
K	Fuse 8A
H	Relais
L	Fuse 30A
M	Positive pole
N	Negative pole
O	Positive pole under the key
P	Electric card
Q	Input from battery
R	Output to the motor
S	Electric card connector
T	Plate handle
U	Terminal board above the chassis
V	Terminal board under the chassis
X	Brush motor
Y	Wheel motor
W	Seat
Z	Connector
AA	Flashing light
AB	Hours meter
AC	Plate handle connector
AD	Battery emergency disconnection